

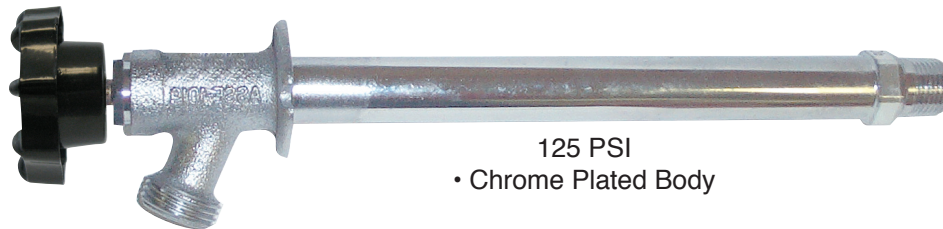


FROSTPROOF SILLCOCK

2010 FROSTPROOF SILLCOCK

A.Y. McDonald Mfg. Co. Frostproof Sillcocks provide a year round source of water to areas of structures that are subject to freezing temperatures. The hydrant valve is connected to supply piping in the heated portion of the structure, eliminating the possibility of freezing.

- Inlet: 1/2" MIP Thread or 1/2" Copper Sweat
- Outlet: Hose Thread
- Lengths: 4", 6", 8", 10", 12"



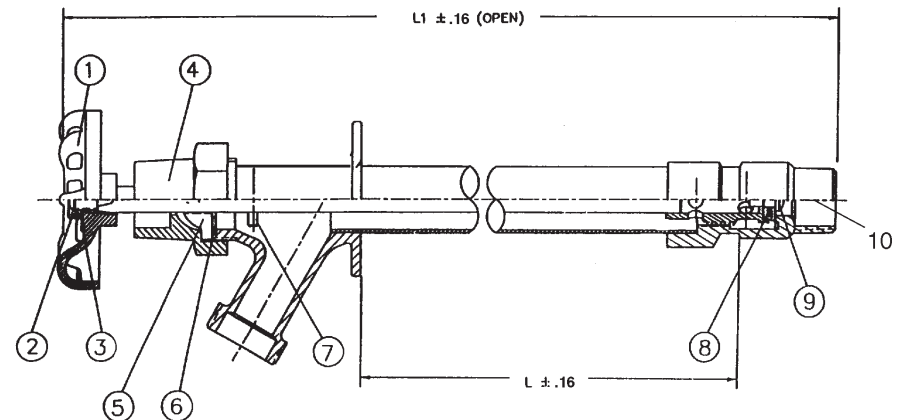
125 PSI
• Chrome Plated Body

~ DIMENSIONS ~

SIZE	L ± .16	L1 ± .16
4"	3.96	9.28
6"	5.94	11.27
8"	7.92	13.26
10"	9.91	15.25
12"	11.89	17.24

~ MATERIALS ~

NO.	PART	MATERIAL
1	Handle	Stainless Steel
2	Nut	Brass
3	Label	Aluminium
4	Nut	Cast Brass
5	Seal	Rubber
6	Washer	Brass
7	O-ring Pin	
8	Body	Brass
9	Seal	Rubber
10	Screw	Cast Brass



A.Y. McDONALD MFG. CO. • P.O. BOX 508 • DUBUQUE, IA 52004-0508
800-292-2737 • FAX 800-832-9296 • sales@aymcdonald.com • www.aymcdonald.com
(Sillcocks 4/10)