



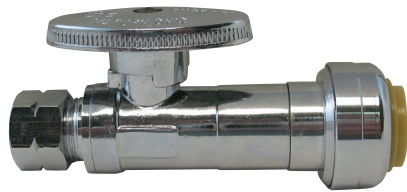
PUSH-FIT VALVES & FITTINGS

2080Q & 2082Q CHROME SUPPLY STOPS

A.Y. McDonald Mfg. Co. Push-Fit Valves & Fittings are designed for use on copper tubing, pex tubing, and CPVC pipe. Push-Fit fittings eliminate the need for soldering, crimping, or solvent welding and are designed for above ground indoor water applications. Push-Fit fittings comply with all applicable standards and are pressure rated at 100 PSIG @ 160°F.

CTS X COMP

• Sizes: 1/2" CTS X 3/8" O.D.



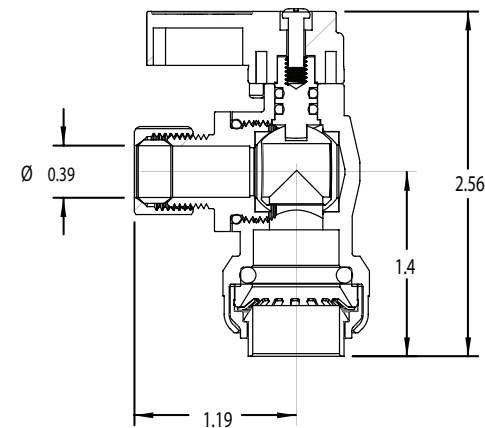
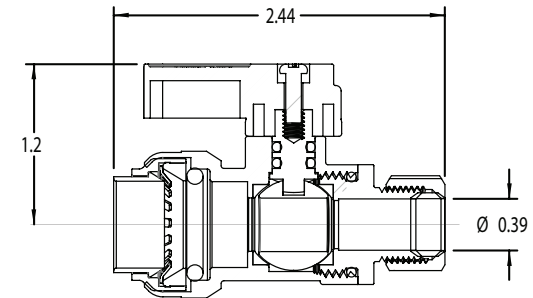
~ MATERIALS ~		
NO.	PART	MATERIAL
1	Body	Low Lead or Lead Free Brass
2	Ball	Low Lead or Lead Free Brass
3	Handle	Zinc
4	Seat Ring	PTFE
5	Stem	Brass
6	Stem O-Ring	NBR
7	Gripper Ring	SS 304
8	Inlet O-Ring	EPDM - NSF61

Product Features:

- Fast installation requiring NO special tools
- Rated to 100 PSI at a maximum temperature of 160°F.
- NO solder, NO flux, NO flame, NO fire hazards.

Push-Fits can be used with the following types of tubing:

- PEX Tubing - In accordance with ASTM F-876 and F-877
- CTS CPVC Pipe - In accordance with ASTM D2846 / 2846M
- Copper Pipe - In accordance with ASTM B88



~ DIMENSIONS ~					
Part No.	Part No.	Size	Weight (approx.)	Quantity	
Straight	Angle			Inner	Master
2080Q	2082Q	1/2" CTS x 3/8" O.D.	0.30	1	144

A.Y. McDONALD MFG. CO. • P.O. BOX 508 • DUBUQUE, IA 52004-0508
800-292-2737 • FAX 800-832-9296 • sales@aymcdonald.com • www.aymcdonald.com
(Push Fit 5/10)